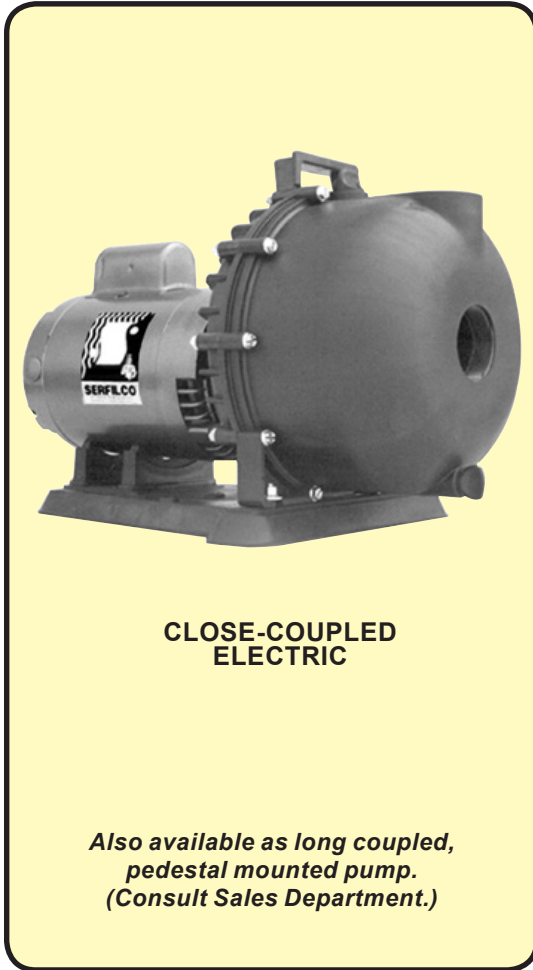




SERIES 'S' | CENTRIFUGAL PUMPS



**CLOSE-COUPLED
ELECTRIC**

*Also available as long coupled,
pedestal mounted pump.
(Consult Sales Department.)*

SELF-PRIMING CENTRIFUGAL PUMPS FOR TRANSFER AND RECIRCULATION OF:

**CHEMICAL SOLUTIONS
WASTE TREATMENT
ACIDS / INDUSTRIAL LIQUIDS**

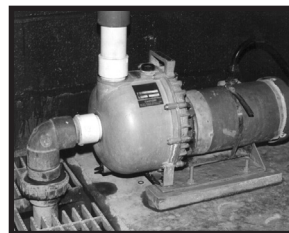
- **Flows to 270 U.S. GPM or 120 ft. TDH @ 60 Hz**
(To 845 LPM or 25.0m TDH @ 50 Hz)
- **Choice of materials -**
Glass reinforced polyester, polypropylene or
Ryton® with 316 SS internal hardware
(See a Chemical Resistant chart)
- **Non-metallic solution contact models
available**
- **Will reprime to 25 ft. (7.6m) vertical***
- **Close-coupled**
- electric motor driven
- **Built-in check valve**
- **BSP threads available on polyester models**

The **Series 'S' Self-Priming Centrifugal Pump** is a chemically resistant pump for general service on water, salt water, mild acids and bases. It is offered in a choice of glass reinforced polyester, polypropylene or Ryton® construction to provide a maximum range of chemical resistance. It is available with a choice of elastomers and 316 stainless steel internal hardware or with completely non-metallic solution contact. The pump comes standard with 304 stainless external hardware.

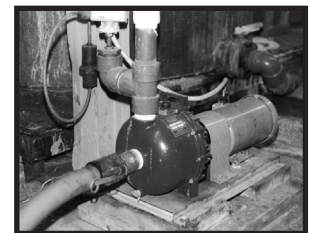
All pumps include a built-in check valve and feature a self-cleaning double volute which allows the Series 'S' pump to self prime and lift to 25 ft.

The self priming capability and chemical resistance make this an ideal chemical transfer, waste treatment, and emergency / backup pump.

* Based on water-like liquids at 70°F and at 3450 RPM after initial priming of pump housing.



WASTE TREATMENT

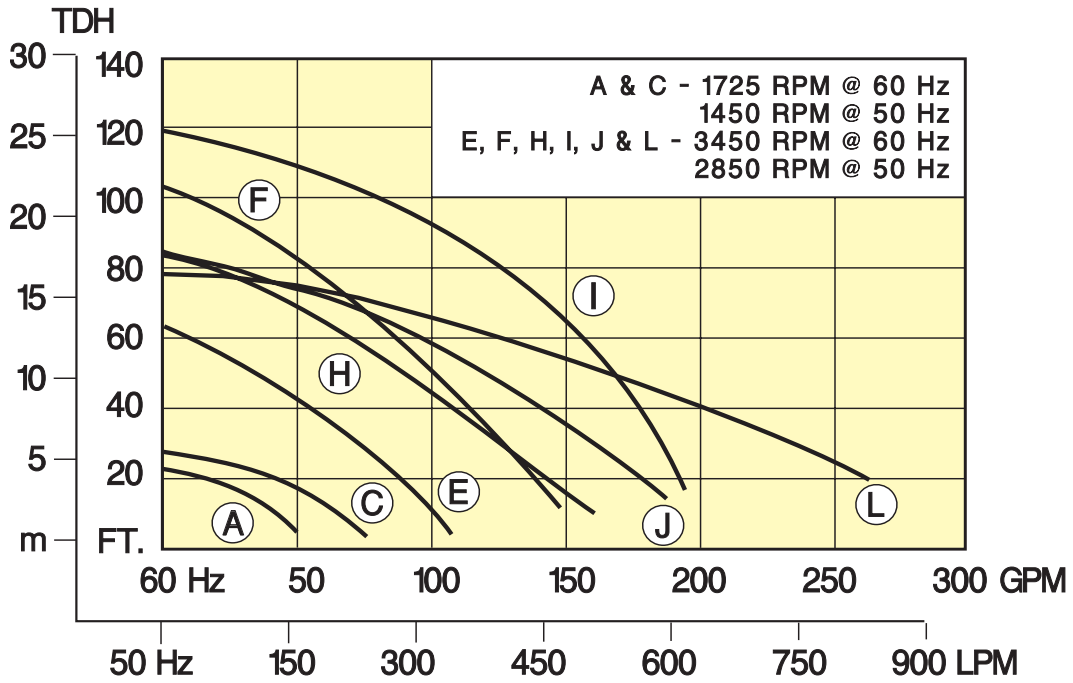


SOLUTION TRANSFER



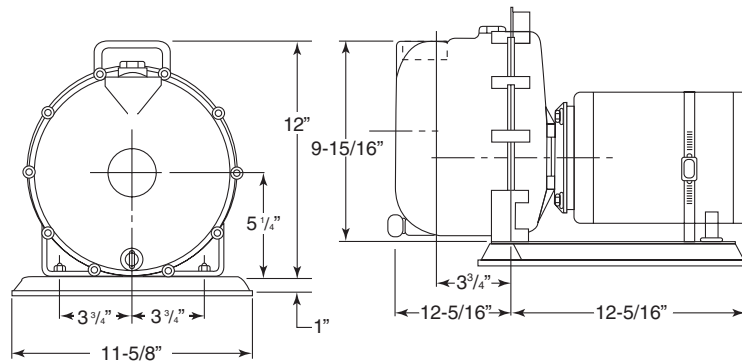
2900 MacArthur Blvd. Northbrook, IL. USA 60062 www.serfilco.com (800) 323 - 5431

ELECTRIC MOTOR DRIVE

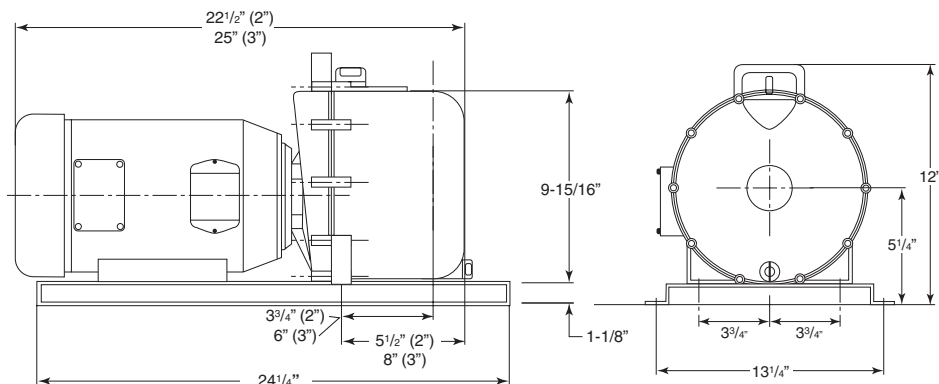


DIMENSIONS

1½" & 2" Pumps
to 3.0 HP
(3 phase)



2" & 3" Pumps
5.0 HP
(3 phase)





TO ORDER, Use Price Code

TABLE I

Pump molded of glass reinforced polyester with 316 stainless steel internal fasteners, 304 SS external fasteners, EPDM "O"-rings and gasket, check valve, polypropylene baseplate, close coupled electric motor.

FLOW	PORT SIZE	MAX. FLOW RATE		MAX. TDH		MAX. HP REQ'D		MODEL NUMBER	PRICE CODE NUMBER	ELECTRIC MOTOR 60 Hz		
		IN.	GPM @ 60 Hz	LPM @ 50 Hz	FT. @ 60 Hz	m @ 50 Hz	60 Hz /RPM			50 Hz /RPM	ADD TO MODEL & PRICE CODE NO . . .	
											115/230V/1/60	230/460V/3/60
										TEFC	TEFC	
A	1 1/2	50	157	22	4.4	0.5/1750	0.3/1450	SE1 1/2AL-	64-11A4-	G.5C	H.5C	
C	1 1/2	70	219	27	5.6	1.0/1750	0.6/1450	SE1 1/2CL-	64-11C4-	G1.0C	H1.0C	
E	2	110	344	62	13.0	1.4/3450	0.8/2850	SE2EL-	64-12E4-	C2.0C	D2.0C	
F	2	150	471	105	21.9	3.0/3450	1.7/2850	SE2FL-	64-12F4-	--	D5.0C	
H	2	155	485	82	17.1	2.6/3450	1.5/2850	SE2HL-	64-12H4-	--	D3.0C	
I	2	195	610	120	25.0	5.0/3450	2.8/2850	SE2IL-	64-12I4-	--	D5.0C	
J	2	185	579	83	17.3	4.0/3450	2.3/2850	SE2JL-	64-12J4-	--	D5.0C	
L	3	270	845	79	16.5	5.0/3450	2.8/2850	SE3LL-	64-13L4-	--	D5.0C	

TABLE II

To determine pump-motor for a selected GPM and/or TDH, first select the appropriate impeller from curve on the previous page. Use Table I to identify the part size for a given flow curve. Multiply HP req'd shown in Table I by specific gravity to determine motor size. Select pump materials. Then construct Model and Price Code Numbers.

EXAMPLE:	PUMP	+	PORT	+	IMPELLER	+	SEAL	+	MOTOR	
MODEL	SE	+	2	+	E	+	L	+	-D2.0C	=SE2EL-D2.0C
PRICE CODE NO.	64-1	+	2	+	E	+	4	+	-D2.0C	=64-12E4-D2.0C

PUMP

PUMP	PRICE CODE NO.
SE (polyester)	64-1
SP (polypropylene) ²	64-2
SY (Ryton)	64-3

PORT + IMPELLER

PORT SIZE - NPT ¹		IMPELLER
MODEL	PRICE CODE NO.	MODEL & PRICE CODE NO.
1 1/2	1	A,C
2	2	A,C,E,F,H,I,J
3	3	L

SEAL, ELASTOMERS & INTERNAL FASTENERS

DESCRIPTION	MODEL	PRICE CODE NO.
Viton w/316 stn. steel fasteners	V	1
Buna-N w/316 stn. steel fasteners	B	2
EPDM w/316 stn. steel fasteners	L	4
Non-metallic solution contact, EPDM	LN	88
Non-metallic solution contact, VITON	VN	99

ELECTRIC MOTORS 60 Hz³

HP	RPM	ADD TO MODEL & PRICE CODE NO . . .	
		115/230V/1/60	230/460V/3/60
		TEFC	TEFC
.5	1750	G.5C	H.5C
.75	1750	G.75C	H.75C
1.0	1750	G1.0C	H1.0C
1.5	1750	G1.5C	H1.5C
2.0	3450	C2.0	D2.0C
3.0	3450	--	D3.0C
5.0	3450	--	D5.0C

¹ For BSP threads, add **B** in 4th digit of Model No. and change Price Code No. from **1** to **4**, **2** to **5**, **3** to **6**. Note: Impeller designation now becomes the 5th digit of model number only for BSP pumps.

² Polypropylene pump includes Ryton volute.

³ For 50 Hz operation consult Sales Department.



PERFECT PUMPS FOR CHEMICALS

Proudly Made in the USA, SERFILCO Offers the Widest Range of Chemical Pumps Anywhere.

'EH' Vertical Pump

- Can Run Dry
- Extended Column to 10'
- Flows to 185 gpm, 145 ft. TDH



'HE' Horizontal Pump

- Single or Double Mech. Seal
- Variety of Material Types
- Flows to 175 gpm, 140 ft. TDH



'ME' Magnetic Coupled Pump

- Seal-less Magnetic Coupled
- Polypropylene or PVDF
- Flows to 95 gpm, 54 ft. TDH



'EF' Vertical Pump

- Can Run Dry
- Suction Extension to 3'
- Flows to 400 gpm, 170 ft. TDH



'HF' Horizontal Pump

- Single or Double Mech. Seal
- Variety of Material Types
- Flows to 400 gpm, 160 ft. TDH



'FE' Magnetic Coupled Pump

- Seal-less Magnetic Coupled
- Polypropylene or PVDF
- Flows to 130 gpm, 97 ft. TDH



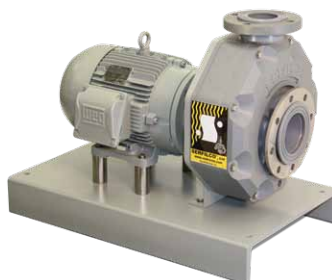
'EHM' Vertical Pump

- Can Run Dry
- Suction Extension to 3'
- Flows to 650 gpm, 115 ft. TDH



'HA' Horizontal Pump

- Single or Double Mech. Seal
- Machined from Solid CPVC
- Flows to 1200 gpm, 115 ft. TDH



'FES' Magnetic Coupled Pump

- Seal-less Magnetic Coupled
- Polypropylene or PVDF
- Flows to 250 gpm, 175 ft. TDH

