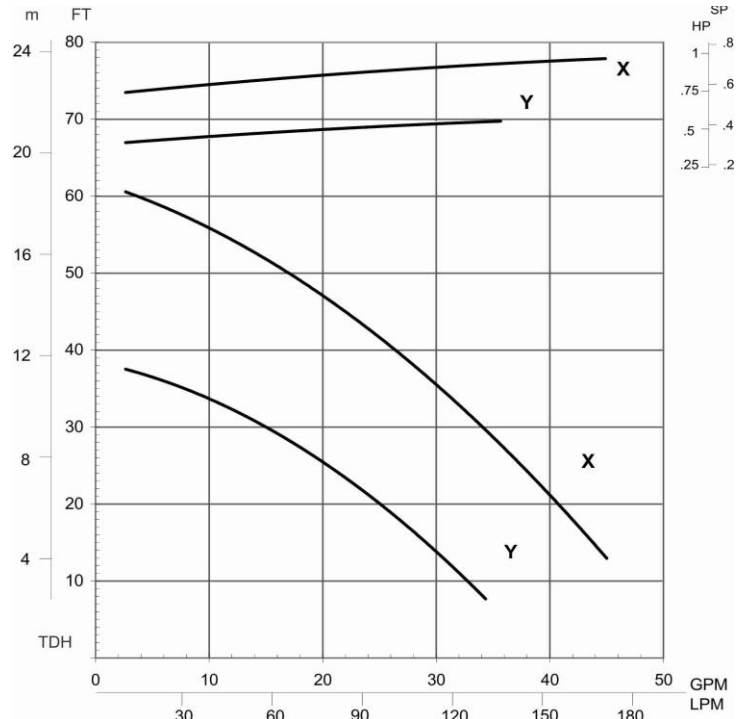
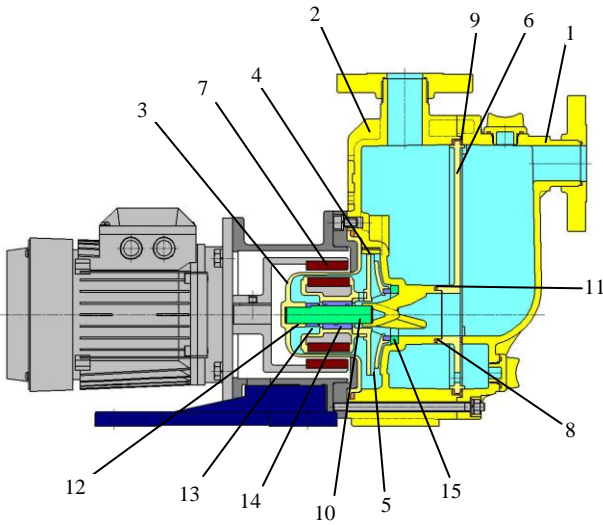


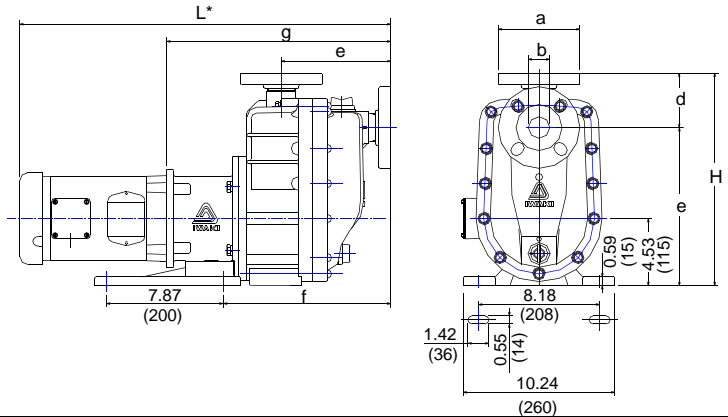


SMX-(F)22

- Superior Priming Capability – 13ft in 90 seconds!
- Robust non-contact bearing design rated for dry-run operation
- Compact design with integral priming chamber
- Self-radiating structure for frictional heat management
- Easy Maintenance – removable wet end assembly
- Uses standard NEMA C-face motor
- Glass fiber reinforced polypropylene construction



No.	Name	Material		
		CA/CF	RA/RF	KA/KK
1	Front Case	GFRPP/CFRETFE		
2	Rear Case			
3	Rear casing			
4	Volute spacer			
5	Impeller			
6	Plate			
7	Magnet capsule	PP/CFRETFE		
8	Oring	FKM/EPDM		
9	Gasket			
10	Spindle	Alumina Ceramic 99.5%		SiC
11	Liner ring	Alumina Ceramic/.SiC (KK)		
12	Rear thrust (RA/RF only)	CFRPPS		
13	Rear thrust ring	----	Alumina Ceramic 99.5%	----
14	Bearing	Carbon	PTFE w/ filler	SiC
15	Mouth ring	PTFE (with filler)		



Dimensions & Specifications inches (mm)

Model	a	b	c	d	e	f	g	H	L*	HP/Frame
SMX-(F)220	4.92 (125)	.98 (25)	6.38 (162)	2.91 (74)	10.04 (255)	9.45 (240)	12.13 (308)	12.95 (329)	21.22 (539)	0.5/56C
SMX-(F)221	4.92 (125)	.98 (25)	6.38 (162)	2.91 (74)	10.04 (255)	9.45 (240)	12.60 (320)	12.95 (329)	21.77 (553)	1.0/56C
SMX-(F)222	4.92 (125)	.98 (25)	6.38 (162)	2.91 (74)	10.04 (255)	9.45 (240)	13.07 (332)	12.95 (329)	23.89 (607)	2.0/145TC

* Varies according to motor manufacturer.

Model	Suct x Disch	Impeller Code	Max Capacity (GPM)	MaxHead (ft)	Motor (RPM)	Motor(HP)
SMX-(F)220	1 x 1	Y	25	35	3500	1/2
SMX-(F)221	1 x 1	X	45	60		1
SMX-(F)221	1 x 1	Y	34	35		1
SMX-(F)222	1 x 1	X	45	60		2