



SPACE-SAVER 'SM' FILTRATION SYSTEMS

COMPACT, HIGH FLOW FILTRATION WITH
DRY RUN CAPABILITY

Flow rates to 3200 GPH @ 60 Hz

For use with process liquids requiring —
non-metallic solution contact, positive containment,
high level of solution clarity, minimal downtime and
maintenance. Especially suitable for:

**PRINTED CIRCUIT BOARD PROCESSING,
ELECTROPLATING, CLEANERS, RINSES**

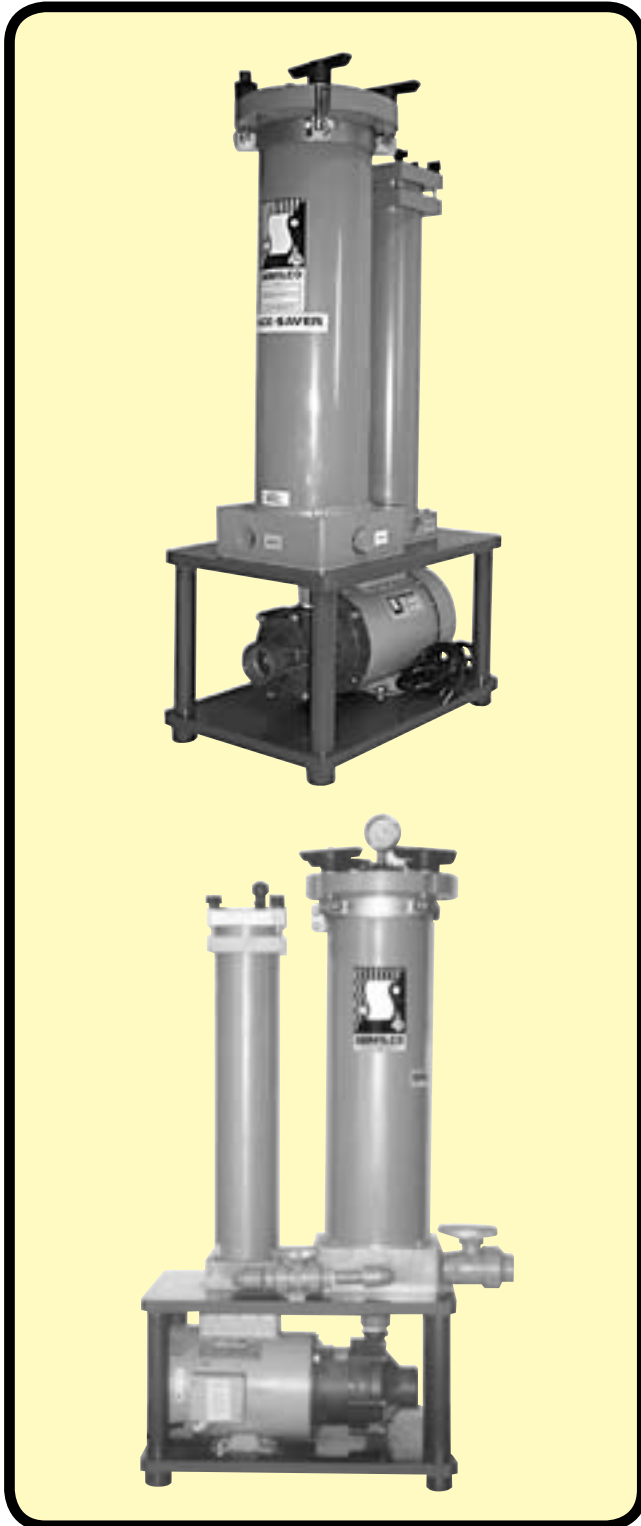
The SERFILCO Space-Saver 'SM' Series is
engineered to provide reliable, high performance
filtration in a small package.

These systems feature our Series 'M' extended
dry run magnetic coupled pump and industry
proven, rugged design, Series 'S' filter cham-
ber. The system package includes a corrosion
resistant PVC hooded mounting base which pro-
tects the pump and motor and supports the filter
chamber at a convenient height for cartridge
changing.

Systems are available in CPVC, PVC or
polypropylene with a polypropylene pump, or in
PVDF with a PVDF pump. EPDM elastomers are
standard. External hardware is stainless steel.

Standard Space-Saver 'SM' systems include:

- Series 'M' magnetic coupled pumps
which can run dry without damage!
- Corrosion resistant PVC hooded mounting base
- Series 'S' filter chamber with 0 - 60 PSI pressure
gauge and guard assembly
- EPDM elastomers standard
- Filter chamber bottom inlet for low pressure drop
- Stainless steel external fasteners and a poly-
propylene vent valve or PVDF vent plug
- Hard piping and wet testing prior to shipment



SERFILCO — worldwide leader in service, dependability and design for over 50 years!



SPECIFICATIONS

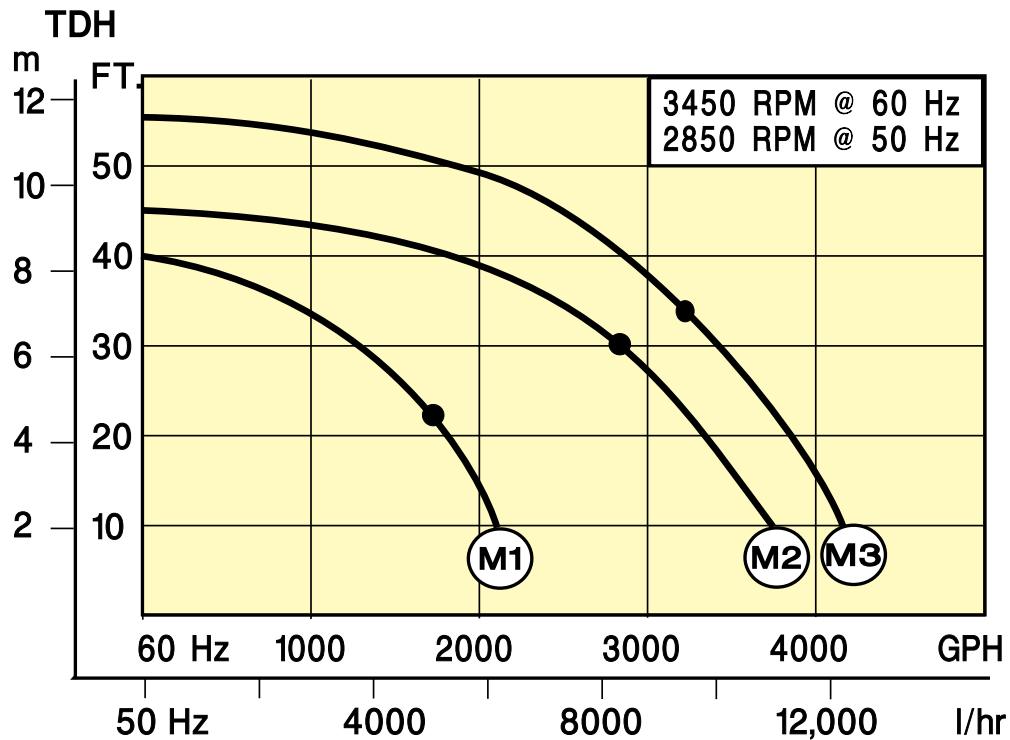
SYSTEM SIZE	FLOW RATE		PUMP HP ¹	PUMP MAX. PSI	CART. CHANGE PSI	MEDIA ²	SOLIDS AREA (Sq. ft.)	SUCT. / DISCH. CONNECTIONS (Inches)	HOSE KIT PRICE CODE NO.
	GPH	LPH							
J6M105	1,700	5,100	½	17	15	3 - 20"	21	1 x 1 FNPT	99-1608
J9M105						3 - 30"	31.5		
J12M105						3 - 40"	42		
J6M208	2,700	8,100	¾	19	17	3 - 20"	21	1½ x 1 FNPT ³	99-1610
J9M208						3 - 30"	31.5		
J12M208						3 - 40"	42		
J6M310	3,200	9,600	1.0	24	21	3 - 20"	21	1½ x 1 FNPT ³	99-1610
J9M310						3 - 30"	31.5		
J12M310						3 - 40"	42		

¹ Less than 1.0 HP — single phase standard
1.0 HP and above — three phase standard

² Order media separately. Refer to Bulletin M-109.

³ PVDF systems 1½" X 1" FNPT

PERFORMANCE



- Realistic system flow



TO ORDER, use System Number

SYSTEM NUMBER				DIMENSIONS L x W x H Inches	SHIPPING WEIGHT Lbs.
PS	PPS	CS	KS		
PSJ6M105	PPSJ6M105	CSJ6M105	KSJ6M105	24 x 13 x 41	100
PSJ9M105	PPSJ9M105	CSJ9M105	KSJ9M105	24 x 13 x 51	110
PSJ12M105	PPSJ12M105	CSJ12M105	KSJ12M105	24 x 13 x 61	120
PSHJ6M208	PPSHJ6M208	CSHJ6M208	KSJ6M208	24 x 13 x 41	105
PSHJ9M208	PPSHJ9M208	CSHJ9M208	KSJ9M208	24 x 13 x 51	115
PSHJ12M208	PPSHJ12M208	CSHJ12M208	KSJ12M208	24 x 13 x 61	125
PSHJ6M310	PPSHJ6M310	CSHJ6M310	KSJ6M310	24 x 13 x 41	110
PSHJ9M310	PPSHJ9M310	CSHJ9M310	KSJ9M310	24 x 13 x 51	120
PSHJ12M310	PPSHJ12M310	CSHJ12M310	KSJ12M310	24 x 13 x 61	130

PS PVC chamber and polypropylene pump *
PPS polypropylene chamber and pump *

CS CPVC chamber and polypropylene pump *
KS PVDF chamber and pump *

* Consult a chemical resistance guide to confirm material / solution compatibility.

ACCESSORIES

VITON ELASTOMERS	ADD TO SYSTEM NO.
Filter chamber and pump	V

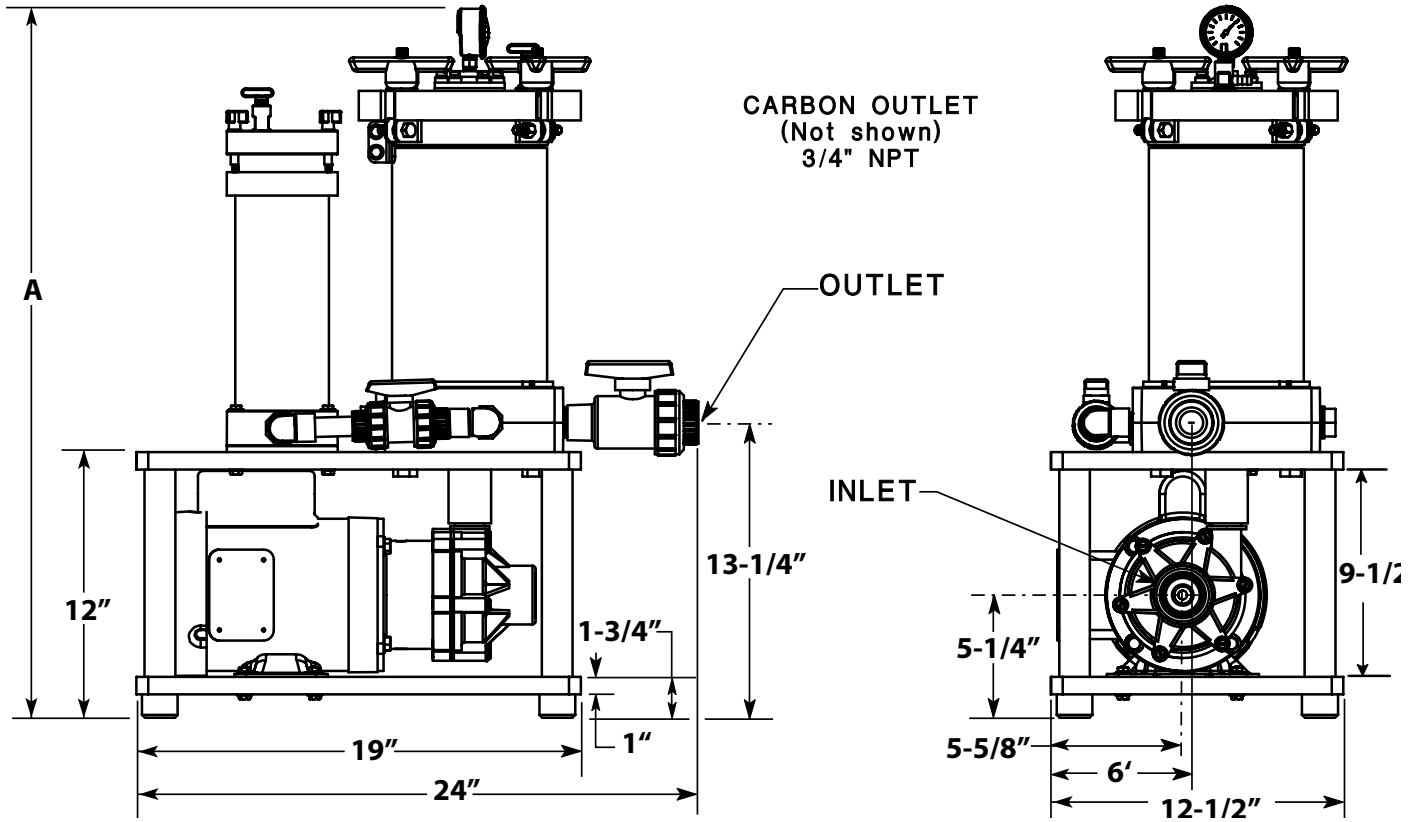
DESCRIPTION	PRICE CODE NO.
MOTOR STARTERS - NEMA 4X Watertight push button	
115 - 230V/1/50-60 230 - 460V/3/50-60	O-MS1P O-MS3P
Add -S to Motor Starter PCN when ordering motor starter for use with DRI-STOP Pump Protector. i. e. O-MS1P-S Important: Specify operating voltage.	
OPERATING VOLTAGE	
1 horsepower & above - Single phase Under 1 horsepower - Three phase	O-1PH O-3PH
50 Hz OPERATION	
Single phase @ 50 Hz Three phase @ 50 Hz	O-150H O-350H

DESCRIPTION	PRICE CODE NO.	
	CPVC	PVC
CARBON PURIFICATION CHAMBER with flow control valve, hose & drain Order carbon media from Bulletin M-305		
Includes ABS mini-canister / CPVC or clear PVC chamber for 2.1 lbs. granular carbon 20" canister 3.2 lbs. granular carbon 30" canister	O-C2CM O-C3CM	O-P2CM O-P3CM
Includes PVC canister / CPVC or clear PVC chamber for 7.5 lbs. granular carbon 5" x 28" canister	O-1528C	O-1528
Includes CPVC or clear PVC chamber for 1.2 lbs 20" carbon cartridge 1.8 lbs 30" carbon cartridge 3.0 lbs 5" x 28" Maxi-carb cartridge	O-C2CC O-C3CC O-1528M	O-P2CC O-P3CC —



DIMENSIONS

Shown with optional purification chamber



SYSTEM SIZE	DIMENSION 'A'
J6	41"
J9	51"
J12	61"