



SPACE-SAVER SX | FILTRATION SYSTEMS

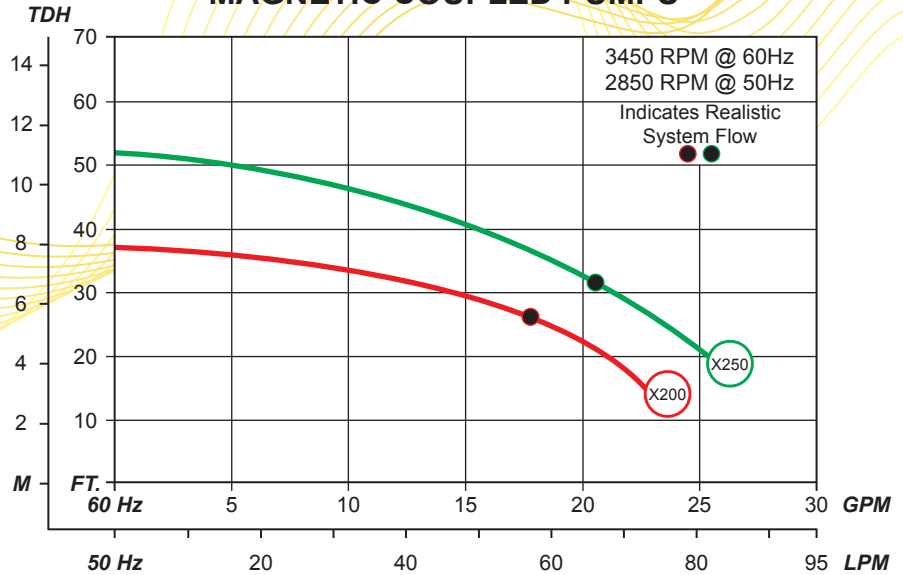
'S' CHAMBER WITH SERIES 'X' MAGNETIC DRIVE PUMP



PERFORMANCE

SERIES 'X'

MAGNETIC COUPLED PUMPS



Standard Space-Saver Systems Include:

- System Flow Rates to 1,200 GPH.
- Series 'X' Magnetic Coupled Pump w/ 1" NPT Connections.
- Series 'S' Filter Chamber w/ 0-30 PSI Pressure Gauge and Guard Assembly.
- EPDM Elastomers Standard.
- Corrosion Resistant PVC Hooded Mounting Base.
- Stainless Steel External Fasteners.
- Polypropylene Vent Valve or PVDF Vent Plug.

SYSTEM NUMBER				MEDIA QTY - LNG ¹	PUMP				SHIPPING WEIGHT
PVC	PP	CPVC	PVDF		MODEL	HP ²	FLOW	CONNS.	
PS3X200	PPS3X200	CS3X200	CS3X200	3 - 10"	X200	1/5	1,000 U.S. GPH	1" NPT	40 lbs.
PS6X200	PPS6X200	CS6X200	CS6X200	3 - 20"					45 lbs.
PS9X200	PPS9X200	CS9X200	CS9X200	3 - 30"					50 lbs.
PS12X200	PPS12X200	CS12X200	CS12X200	3 - 40"					55 lbs.
PS3X250	PPS3X250	CS3X250	CS3X250	3 - 10"	X250	1/3	1,200 U.S. GPH	1" NPT	45 lbs.
PS6X250	PPS6X250	CS6X250	CS6X250	3 - 20"					50 lbs.
PS9X250	PPS9X250	CS9X250	CS9X250	3 - 30"					55 lbs.
PS12X250	PPS12X250	CS12X250	CS12X250	3 - 40"					60 lbs.

¹ Filter Media ordered separately

² Standard motors are 100-110V/1/50-60 with 6 ft. cord & 60Hz plug. Optional 230V/1/50-60 motor available.



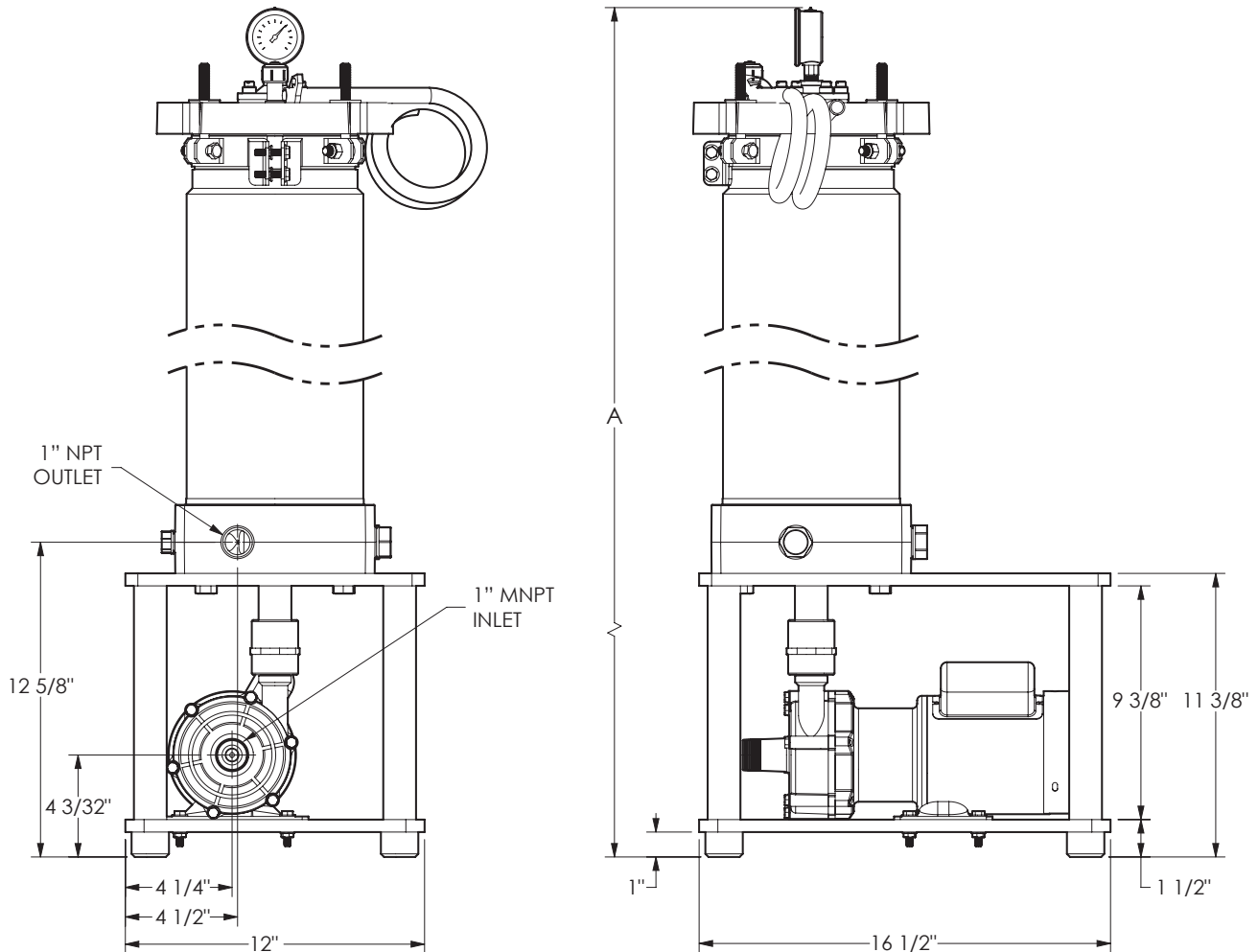
OPTIONS AND ACCESSORIES

CARBON PURIFICATION CHAMBER with flow control valve, hose & drain.	PRICE CODE NO.	
	CPVC	PVC
Includes ABS mini-canister / CPVC or clear PVC Chamber for:		
0.9 lbs. granular carbon 10" canister	O-C1CM	O-P1CM
2.1 lbs. granular carbon 20" canister	O-C2CM	O-P2CM
3.2 lbs. granular carbon 30" canister	O-C3CM	O-P3CM
Includes CPVC or clear PVC chamber for:		
1.2 lbs. bulk granular carbon	O-C1C	O-P1C
2.5 lbs. bulk granular carbon	O-C2C	O-P2C
3.8 lbs. bulk granular carbon	O-C3C	O-P3C
Includes CPVC or clear PVC chamber for:		
0.6 lbs. 10" carbon cartridge	O-C1CC	O-P1CC
1.2 lbs. 20" carbon cartridge	O-C2CC	O-P2CC
1.8 lbs. 30" carbon cartridge	O-C3CC	O-P3CC

DESCRIPTION	ADD TO SYSTEM NO.
Viton Elastomers on Filter Chamber and Pump.	- V
Optional Motor 230V/1/50-60	- 5

DIMENSIONS

SYSTEM SIZE	DIM 'A'
10"	30 - 3/8"
20"	40 - 3/8"
30"	50 - 3/8"
40"	60 - 3/8"



SERFILCO®

Chemical resistant pumps & filters engineered for industry

2900 MacArthur Blvd.
 Northbrook, IL. 60062-2005 U.S.A (800) 323-5431
 E-Mail: sales@serfilco.com (847) 509-2900
 Web: www.serfilco.com (847) 559-1141

© 2020 SERFILCO Ltd, All Rights Reserved.