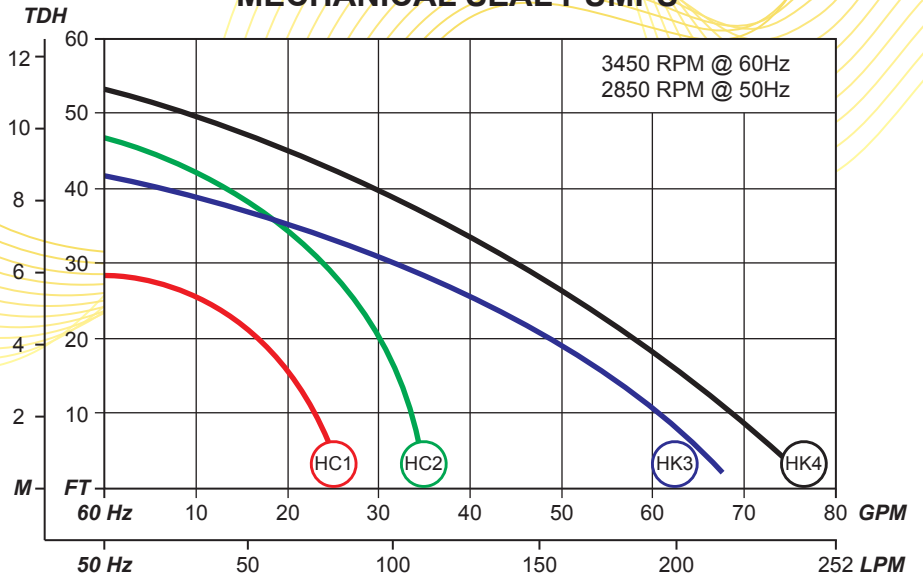




## SPACE-SAVER | FILTRATION SYSTEMS

'S' CHAMBER WITH MECHANICAL SEAL PUMPS

### PERFORMANCE SERIES 'HC' & 'HK' MECHANICAL SEAL PUMPS



**S-KSH9HKD415**

### Standard Space-Saver Systems Include:

- Non-Metallic Solution Contact.
- Stainless Steel External Hardware and Fasteners.
- Corrosion Resistant Base.
- Vent Valve Assembly.
- Pressure Gauge Guard Assembly Included.
- Systems 1HP and up are 3 Phase, 230-460V/3/50-60Hz.  
Under 1 HP are 1 Phase, 115/230V/1/50-60Hz
- Optional Hose Kits Available (see bulletin A-215)

SYSTEM NUMBER <sup>1</sup>	FLOW RATE		PUMP SERIES	PUMP HP	PUMP MAX PSI	CARTRIDGE CHANGE PSI	FILTER SERIES	MEDIA	SOLIDS (sq. ft)	SUCT. / DISCH. FNPT CONNS. (in)	SHIP WEIGHT
	GPH @60Hz	LPH @50Hz									
CS6HC103	1200	3700	HC	1/3 HP	12	10	S	3 - 20"	21.0	1" NPT x 1" NPT	56 lbs.
CS9HC103	1200	3700	HC	1/3 HP	12	10	S	3 - 30"	31.5	1" NPT x 1" NPT	66 lbs.
CS12HC103	1200	3700	HC	1/3 HP	12	10	S	3 - 40"	42.0	1" NPT x 1" NPT	76 lbs.
CS9HC208	1800	5600	HC	3/4 HP	20	16	S	3 - 30"	31.5	1" NPT x 1" NPT	120 lbs.
CS12GC208	1800	5600	HC	3/4 HP	20	16	S	3 - 40"	42.0	1" NPT x 1" NPT	140 lbs.
CSH9HK310	2400	7400	HK	1.0 HP	18	14	S	3 - 30"	31.5	1-1/2" x 1" NPT	125 lbs.
CSH12HK310	2400	7400	HK	1.0 HP	18	14	S	3 - 40"	42.0	1-1/2" x 1" NPT	135 lbs.
CSH9HK415	3000	9500	HK	1.5 HP	23	18	S	3 - 30"	31.5	1-1/2" x 1" NPT	130 lbs.

<sup>1</sup> Listed system includes CPVC chamber and PP pump

To order system with PP chamber, change the 'C' to 'PP' in System No.

To order system with PVDF chamber and pump, change the 'C' to 'K' in System No.

To order pump with double mechanical seal, change 'HC' to 'HCD' or 'HK' to 'HKD' in system number.



## OPTIONS AND ACCESSORIES

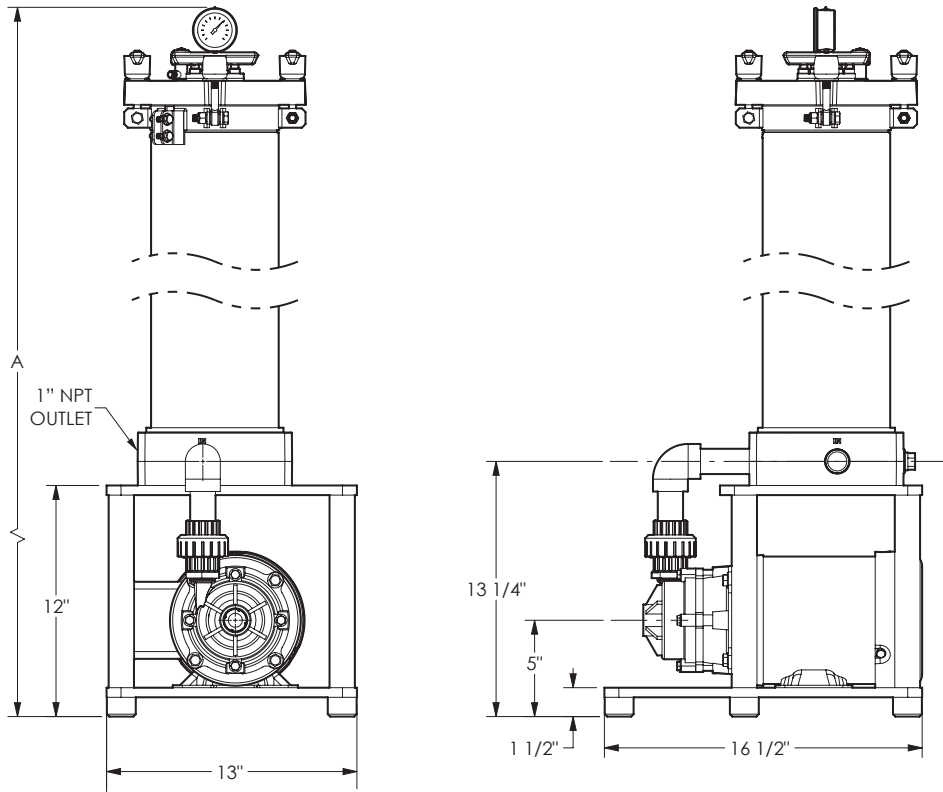
MOTOR STARTERS - NEMA 4X WATERTIGHT PUSH BUTTON	PRICE CODE NO.
115 - 230V/1/50-60 230 - 460V/3/50-60	O-MS1P O-MS3P
Add '-S' to Motor Starter PCN when ordering motor starter for use with DRI-STOP® Pump Protector. EX: O-MS1P-S (Specify Operating Voltage)	
DRI-STOP® PUMP PROTECTOR	PRICE CODE NO.
DRI-STOP 2R <sup>2</sup> DRI-STOP 3 <sup>3</sup>	O-2DS2R O-DS3C
<sup>2</sup> DRI-STOP 2R for use with double mechanical seal pumps. <sup>3</sup> DRI-STOP 3 for use with magnetic drive or single mechanical seal pumps.	

OPERATING VOLTAGE	PRICE CODE NO.
1 horsepower & above - SINGLE PHASE Under 1 horsepower - THREE PHASE	O-1PH O-3PH

VITON ELASTOMERS	ADD TO SYSTEM NO.
Filter Chamber and Pump	- V

CARBON PURIFICATION CHAMBER with flow control valve, hose & drain.	PRICE CODE NO.	
	CPVC	PVC
Includes ABS mini-canister / CPVC Chamber for: 2.1 lbs. granular carbon 20" canister 3.2 lbs. granular carbon 30" canister	O-C2CM O-C3CM	- -
Includes PVC canister, CPVC chamber for: 7.5 lbs. granular carbon, 5"x28" canister (PVC canister / PVC chamber - O-1528)	O-1528C	-
Includes CPVC or PP chamber for: 1.2 lbs. 20" Carbon Cartridge 1.8 lbs. 30" Carbon Cartridge 3.0 lbs. 5"x28" Maxi-Carb Cartridge	O-C2CC O-C3CC O-1528M	O-P2CC O-P3CC O-PP1528M
FOR 50Hz OPERATION	PRICE CODE NO.	
Single Phase @ 50Hz Three Phase @ 60Hz	O-150H O-350H	

Order Information for Carbon Media on Bulletin M-305



## DIMENSIONS

SYSTEM SIZE	DIM 'A'
20"	41 - 1/2"
30"	51 - 1/2"
40"	61 - 1/2"

**CAUTION**

Do not use vinyl hose when system is to be used at 150°F (66°C). System suction and discharge to be hard piped. Refer to A-213 for installation fittings.



# SERFILCO®

Chemical resistant pumps & filters engineered for industry

2900 MacArthur Blvd.  
Northbrook, IL. 60062-2005 U.S.A. (800) 323-5431  
E-Mail: sales@serfilco.com (847) 509-2900  
Web: www.serfilco.com (847) 559-1141

© 2020 SERFILCO Ltd, All Rights Reserved.