



SUPER SPACE-SAVER | FILTRATION SYSTEMS



STANDARD FEATURES

Variable Flow Rates

*Flows to 8,500 GPH at 60Hz
(26,800 LPH at 50Hz)*

Motor Selection

From 1 to 5 HP

Non-Metallic Solution Contact

Constructed of Polypropylene, CPVC, PVC or PVDF

Choice of Single or Double Mech. Seal, or Magnetic Coupled

Silicon Carbide Seals on Mechanical Seal Pumps

Magnetic Coupled Pumps are Sealless

EPDM Elastomers Standard

FKM Optional

Corrosion Resistant PVC Mounting Base

Stainless Steel External Fasteners

Swing-Bolt Chamber Closures

Vent Valve and Drain Valve Included

on Filter Chamber

Includes Pressure Gauge and Guard Assembly

Glycerin Filled, 316 SS Construction

Flow Control Valve Between Pump and Filter Chamber

SERIES 'HE'



Bulletin P-201

PH: (800) 323-5431

SERIES 'FE'



Bulletin P-518

SERIES 'ME'



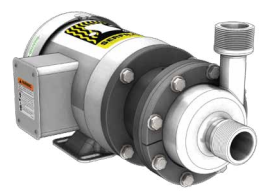
Bulletin P-526

SERIES 'FES'



Bulletin P-521

SERIES 'HK'



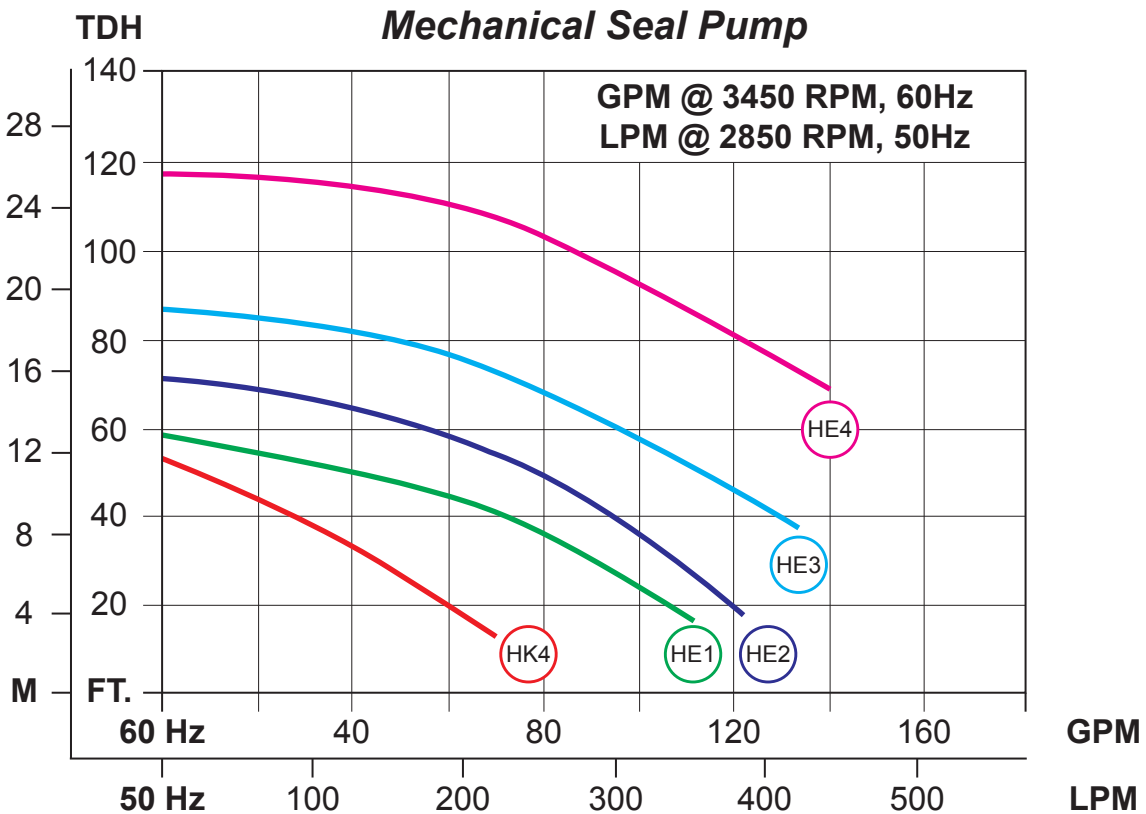
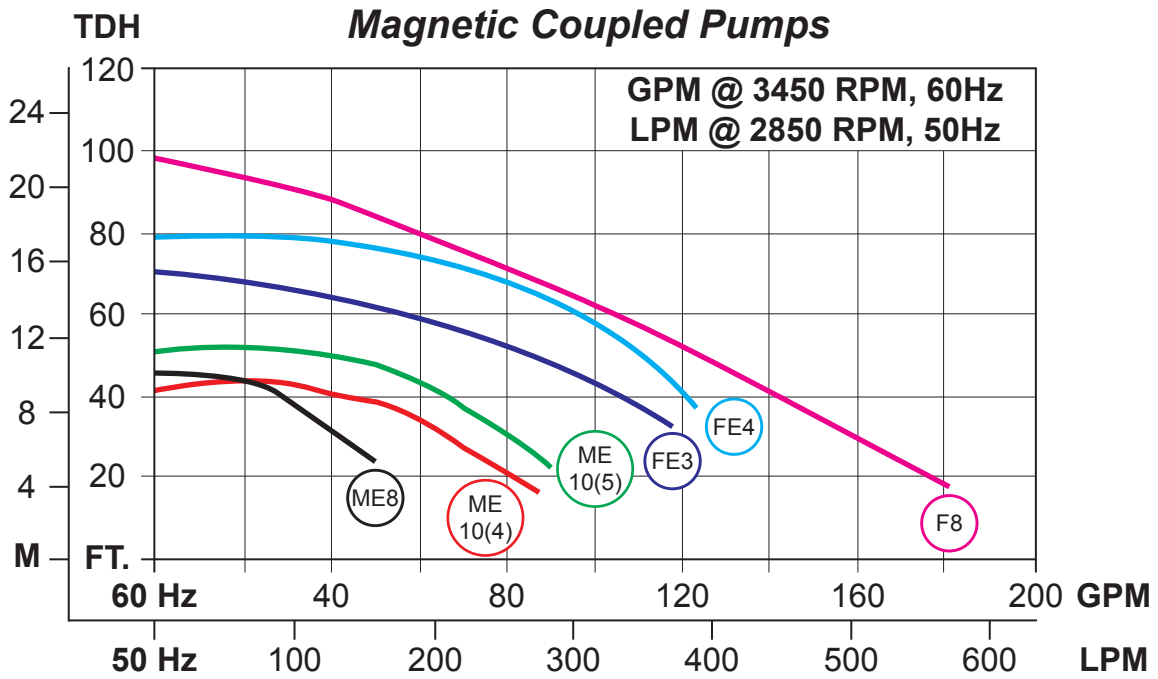
Bulletin P-204

SERFILCO.COM

EMAIL: SALES@SERFILCO.COM

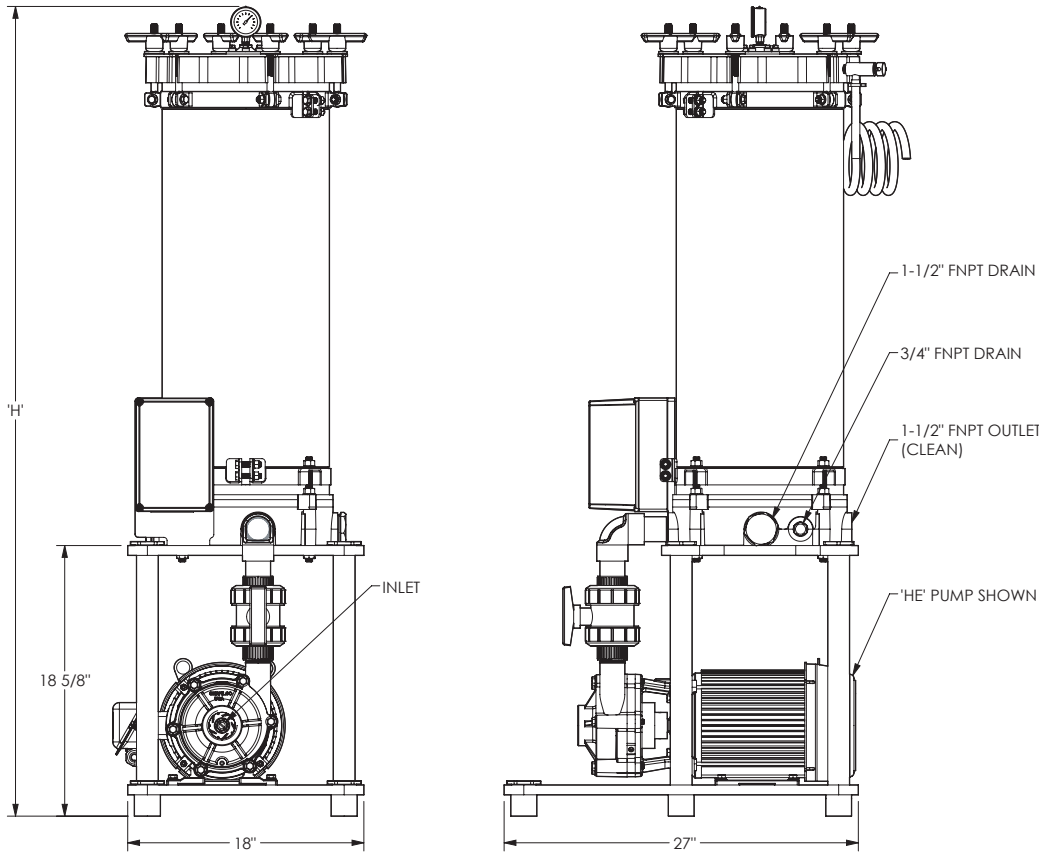


PERFORMANCE DATA





TECHNICAL DATA



CHAMBER	HEIGHT (H)
G24	50"
G36	60"
G48	70"

ORDER INFORMATION

Polypropylene Magnetic Drive Pump with CPVC, PVC or Polypropylene¹ Filter Chamber

SYSTEM NUMBER	FLOW RATE		PUMP SERIES (CURVE #)	PUMP HP (3PH)	PUMP MAX PSI	CART. CHANGE PSI	FILTER SERIES	MEDIA	AREA (sq. ft.)	CONNS. (in x out)	OVERALL DIMS
	GPH @60Hz	LPH @50Hz									
CG24ME808	3,000	9,500	ME8(3)	.75 (1ph)	20	16	G	12 - 20"	84	1-1/2 x 1-1/2	27 x 18 x 50
CG36ME808	3,000	9,500	ME8(3)	.75 (1ph)	20	16	G	12 - 30"	126	1-1/2 x 1-1/2	27 x 18 x 60
CG48ME808	3,000	9,500	ME8(3)	.75 (1ph)	20	16	G	12 - 40"	168	1-1/2 x 1-1/2	27 x 18 x 70
CG24ME10410	3,900	12,300	ME10(4)	1.0	18	16	G	12 - 20"	84	2 x 1-1/2	27 x 18 x 50
CG36ME10410	3,900	12,300	ME10(4)	1.0	18	16	G	12 - 30"	126	2 x 1-1/2	27 x 18 x 60
CG48ME10410	3,900	12,300	ME10(4)	1.0	18	16	G	12 - 40"	168	2 x 1-1/2	27 x 18 x 70
CG24ME10515	4,700	14,800	ME10(5)	1.5	25	24	G	12 - 20"	84	2 x 1-1/2	27 x 18 x 50
CG36ME10515	4,700	14,800	ME10(5)	1.5	25	24	G	12 - 30"	126	2 x 1-1/2	27 x 18 x 60
CG48ME10515	4,700	14,800	ME10(5)	1.5	25	24	G	12 - 40"	168	2 x 1-1/2	27 x 18 x 70
CG24FE320	6,000	18,900	FE1(3)	2.0	32	30	G	12 - 20"	84	2 x 1-1/2	27 x 18 x 50
CG36FE320	6,000	18,900	FE1(3)	2.0	32	30	G	12 - 30"	126	2 x 1-1/2	27 x 18 x 60
CG48FE320	6,000	18,900	FE1(3)	2.0	32	30	G	12 - 40"	168	2 x 1-1/2	27 x 18 x 70
CG36FE430	6,900	21,800	FE2(4)	3.0	35	21	G	12 - 30"	126	2 x 1-1/2	27 x 18 x 60
CG48FE430	6,900	21,800	FE2(4)	3.0	35	21	G	12 - 40"	168	2 x 1-1/2	27 x 18 x 70
CG36F850	8,500	26,800	F2X2 (8)	5.0	42	34	G	12 - 30"	126	2 x 1-1/2	27 x 18 x 60
CG48F850	8,500	26,800	F2X2 (8)	5.0	42	34	G	12 - 40"	168	2 x 1-1/2	27 x 18 x 70

¹ Listed System Includes CPVC Chamber.
To Order System with PVC Chamber:
Change 'C' to 'P' in Model Number.

¹ To Order System with Polypropylene Chamber:
Change 'C' to 'PP' in Model Number.
Consult Sales for PVDF Systems.



SUPER SPACE-SAVER | FILTRATION SYSTEMS

ORDER INFORMATION

CPVC or Polypropylene Direct Drive² Pump with CPVC, PVC or Polypropylene¹ Filter Chamber

SYSTEM NUMBER	FLOW RATE		PUMP SERIES (Curve #)	PUMP HP (3ph)	PUMP MAX PSI	CART. CHANGE PSI	FILTER SERIES	MEDIA	AREA (sq. ft.)	CONNS. (in x out) ³	OVERALL DIMS
	GPH @60Hz	LPH @50Hz									
CG24HK415	3,000	9,400	HK(4)	1.5	23	19	G	12 - 20"	84	1-1/2 x 1-1/2	27 x 18 x 50
CG36HK415	3,000	9,400	HK(4)	1.5	23	19	G	12 - 30"	126	1-1/2 x 1-1/2	27 x 18 x 60
CG48HK415	3,000	9,400	HK(4)	1.5	23	19	G	12 - 40"	168	1-1/2 x 1-1/2	27 x 18 x 70
CG24HE115	4,200	13,200	HE(1)	1.5	24	20	G	12 - 20"	84	2 x 1-1/2	27 x 18 x 50
CG36HE115	4,200	13,200	HE(1)	1.5	24	20	G	12 - 30"	126	2 x 1-1/2	27 x 18 x 60
CG48HE115	4,200	13,200	HE(1)	1.5	24	20	G	12 - 40"	168	2 x 1-1/2	27 x 18 x 70
CG24HE220	5,400	17,000	HE(2)	2.0	27	24	G	12 - 20"	84	2 x 1-1/2	27 x 18 x 50
CG36HE220	5,400	17,000	HE(2)	2.0	27	24	G	12 - 30"	126	2 x 1-1/2	27 x 18 x 60
CG48HE220	5,400	17,000	HE(2)	2.0	27	24	G	12 - 40"	168	2 x 1-1/2	27 x 18 x 70
CG24HE330	6,500	20,500	HE(3)	3.0	36	33	G	12 - 20"	84	2 x 1-1/2	27 x 18 x 50
CG36HE330	6,500	20,500	HE(3)	3.0	36	33	G	12 - 30"	126	2 x 1-1/2	27 x 18 x 60
CG48HE330	6,500	20,500	HE(3)	3.0	36	33	G	12 - 40"	168	2 x 1-1/2	27 x 18 x 70
CG36HE450	8,500	26,800	HE(4)	5.0	51	48	G	12 - 30"	126	2 x 1-1/2	27 x 18 x 60
CG48HE450	8,500	26,800	HE(4)	5.0	51	48	G	12 - 40"	168	2 x 1-1/2	27 x 18 x 70

¹ Listed System Includes CPVC Chamber.

To Order System with PVC Chamber:

Change 'C' to 'P' in Model Number.

To Order System with Polypropylene Chamber:

Change 'C' to 'PP' in Model Number.

² To Order Pump with Double Mechanical Seal: Change 'HK' to 'HKD' or 'HE' to 'HED' in Model Number.

³ Series 'HK' Pump Has 1-1/2" MNPT Connection.

Systems are 230-460/3/50-60

Consult Sales for PVDF Systems.

Polypropylene Self-Priming Magnetic Drive Pump with CPVC, PVC, or Polypropylene¹ Filter Chamber

SYSTEM NUMBER	FLOW RATE		PUMP SERIES (Curve #)	PUMP HP (3ph)	PUMP MAX PSI	CART. CHANGE PSI	FILTER SERIES	MEDIA	AREA (sq. ft.)	CONNS. (in x out)	OVERALL DIMS
	GPH @60Hz	LPH @50Hz									
CG24FES215	3,900	12,300	FES(2)	1.5	22	16	G	12 - 20"	84	1-1/2 x 1-1/2	27 x 18 x 50
CG36FES215	3,900	12,300	FES(2)	1.5	22	16	G	12 - 30"	126	1-1/2 x 1-1/2	27 x 18 x 60
CG48FES215	3,900	12,300	FES(2)	1.5	22	16	G	12 - 40"	168	1-1/2 x 1-1/2	27 x 18 x 70
CG24FES320	4,700	14,800	FES(3)	2.0	29	24	G	12 - 20"	84	1-1/2 x 1-1/2	27 x 18 x 50
CG36FES320	4,700	14,800	FES(3)	2.0	29	24	G	12 - 30"	126	1-1/2 x 1-1/2	27 x 18 x 60
CG48FES320	4,700	14,800	FES(3)	2.0	29	24	G	12 - 40"	168	1-1/2 x 1-1/2	27 x 18 x 70
CG24FES430	6,000	18,900	FES(4)	3.0	35	30	G	12 - 20"	84	1-1/2 x 1-1/2	27 x 18 x 50
CG36FES430	6,000	18,900	FES(4)	3.0	35	30	G	12 - 30"	126	1-1/2 x 1-1/2	27 x 18 x 60
CG48FES430	6,000	18,900	FES(4)	3.0	35	30	G	12 - 40"	168	1-1/2 x 1-1/2	27 x 18 x 70

¹ Listed System Includes CPVC Chamber.

To Order System with PVC Chamber:

Change 'C' to 'P' in Model Number.

¹ To Order System with Polypropylene Chamber:

Change 'C' to 'PP' in Model Number.

Consult Sales for PVDF Systems.

AVAILABLE OPTIONS

DESCRIPTION	PRICE CODE NO.
MOTOR STARTERS - NEMA 4X WATERTIGHT PUSH BUTTON	
115-230V/1/50-60	O-MS1P
230 - 460V/3/50-60	O-MS3P
Add 'S' to Motor Starter PCN when ordering motor starter for use with DRI-STOP [®] Pump Protector. EX: O-MS3P-S (Specify Operating Voltage)	
FKM Elastomers	ADD TO PCN
FKM Elastomers	-V

DESCRIPTION	PRICE CODE NO.
DRI-STOP[®] PUMP PROTECTOR	
DRI-STOP 2R ¹	O-2DS2R
DRI-STOP 3 ²	O-DS3C
¹ DRI-STOP 2R for use with double mechanical seal pumps. ² DRI-STOP 3 for use with magnetic drive or single mechanical seal pumps.	
50Hz Operation	
Three Phase @ 50Hz	O-350H