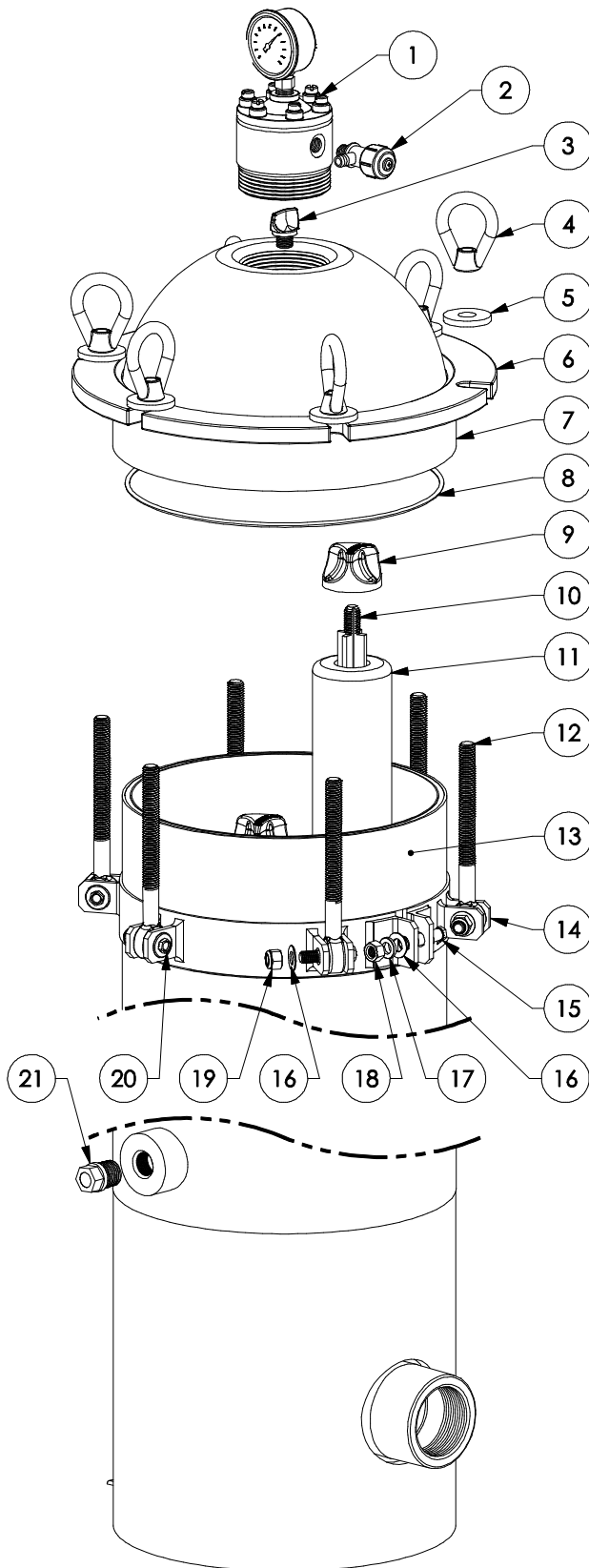




FOR NOMINAL (DOE) CARTRIDGES

\*CHAMBERS MANUFACTURED AFTER 2010



Models	PCN
PL70S-2	78-1290
PL140S-2	78-1291
PL210S-2	78-1292
PL280S-2	78-1293

NO.	DESCRIPTION		QTY	PART NO.
1	Gauge guard w/ vent valve (opt)	PVC	1	78-0078
2	Vent valve 'O'-ring	EPDM	1	33-8108-PP
		FKM	1	22-0870
		FKM	1	22-0870-V
3	Vent plug 'O'-ring	PP	1	88-0900
		EPDM	1	22-0600
		FKM	1	22-0691
4	Eye nut	1/2-13 ST	6	11-0625
5	Washer	1/2 SS	6	11-0619
6	Swing bolt flange	ST	1	77-1184-E
7	Dome cover	PVC	1	88-1281-E
8	'O'-ring	EPDM	1	22-0671
		FKM	1	22-0673
9	Cartridge cap	CPVC	7	77-1590
10	Cartridge post	10 PP	7	88-1601-PP
		20		88-1602-PP
		30		88-1603-PP
		40		88-1604-PP
11	Filter cartridge			See bulletin M-109
12	Swing bolt	1/2-13x5-3/4 SS	6	11-0474-1
13	Housing assembly	10 PVC	1	88-1278-1A
		20		88-1278-2A
		30		88-1278-3A
		40		88-1278-4A
14	Swing bolt bracket	SS	1	77-1183
15	Bolt	3/8-16x1-5/8 SS	6	11-0444-1
16	Washer	3/8 SS	14	11-0126
17	Lock washer	3/8 SS	1	11-0140
18	Nut	3/8 SS	1	11-0105
19	Nyloc nut	3/8-16 SS	6	11-0519
20	Bolt	3/8-16x1-3/4 SS	1	11-0374
21	Plug 'O'-ring	1/2NPT CPVC	1	33-0866
		EPDM	1	22-2209
		FKM	1	22-2209-V

Product Bulletin:	C-103
Operation and Service Guide:	O-0850