

© 2014 Serfilco Ltd. All Right Reserved.

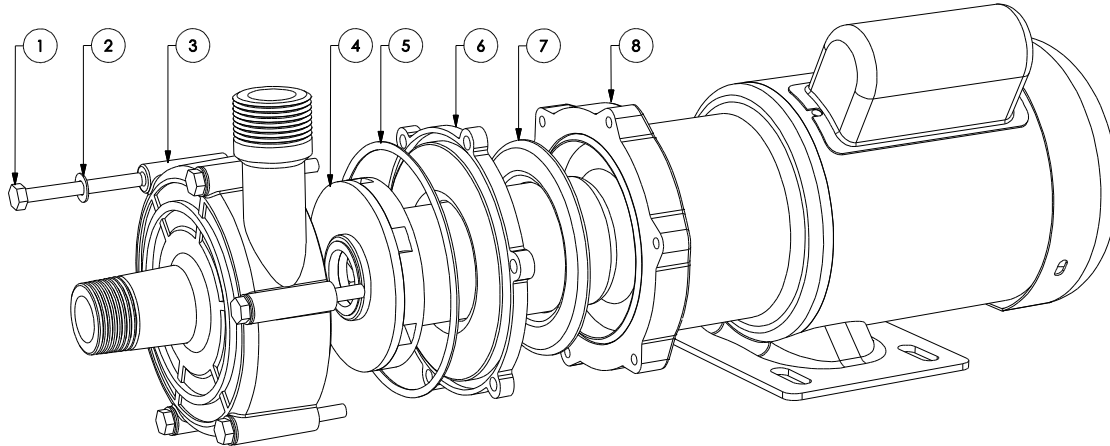
SERFILCO®

Series 'X' | Magnetic Coupled Pumps

2900 MacArthur Blvd. Northbrook, IL. USA 60062 WWW.SERFILCO.COM (800) 323-5431

PARTS LIST
P-9880_A
9/23/2014
Page 1 of 1

X200, X250



Product Bulletin:	F-511
Operation and Service Guide:	O-0194

NO.	DESCRIPTION	QTY	X200	X250
1	Hex head bolt M6x55mm SS	6		11-0880
2	Washer 3/16 SS	6		11-0881
3	Front casing Hose PP Thread PP Thread ETFE	1	83-7000-PP 83-7001-PP 83-7001-E	
4	Impeller magnet assy. w/ bearing PP - PTFE/AL ₂ O ₃ ETFE - PTFE/AL ₂ O ₃	1	83-7004-PP 83-7004-E	83-8004-PP 83-8004-E
5	O-Ring FKM EPDM	1		22-2244-V 22-2244
6	Rear casing w/ spindle PP ETFE	1	83-7005-PP 83-7005-E	
7	Rear casing cover PP ETFE	1	83-7006-PP 83-7006-E	
8	Motor	1		