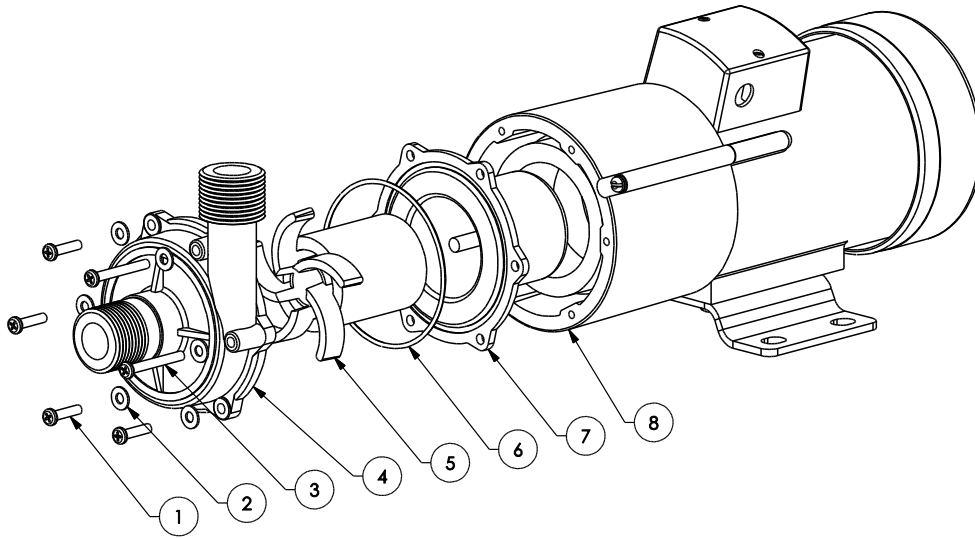


SERFILCO® SERIES 'X' | Magnetic Coupled Pump X40, X50, X100

2900 MacArthur Blvd. Northbrook, IL. USA 60062 WWW.SERFILCO.COM (800) 323-5431

PARTS LIST
P-9875_C
02/01/12
Page 1 of 1



ITEM	DESCRIPTION			Qty	X40	X50	X100
1	Pan head bolt	M4x15mm	SS	4	-	11-0878	11-0878
2	Washer		SS	6		11-0279	
3	Pan head bolt	M4x30mm	SS	*	(6x) 11-0879	(2x) 11-0879	(2x) 11-0879
4	Suction Casing	Hose	PP	1	83-4000-PP	83-5000-PP	
		Thread	PP		83-4001-PP	83-5001-PP	
		Hose	ETFE		83-4000-E	83-5000-E	
		Thread	ETFE		83-4001-E	83-5001-E	
5	Impeller magnet		PP	1	83-4004-PP	83-5004-PP	83-6004-PP
			ETFE		83-4004-E	83-5004-E	83-6004-E
6	O-Ring		FKM	1	22-2037-V	22-2038-V	
			EPDM		22-2037	22-2038	
7	Rear casing		PP	1	83-4005-PP	83-5005-PP	
			ETFE		83-4005-E	83-5005-E	
8	Motor						

Product Bulletin:	P-511
Operation and Service Guide:	O-0194