

**PRICE® PUMP CO.****XL/XT-100SS/150SS/200SS Mag Drive Parts List**

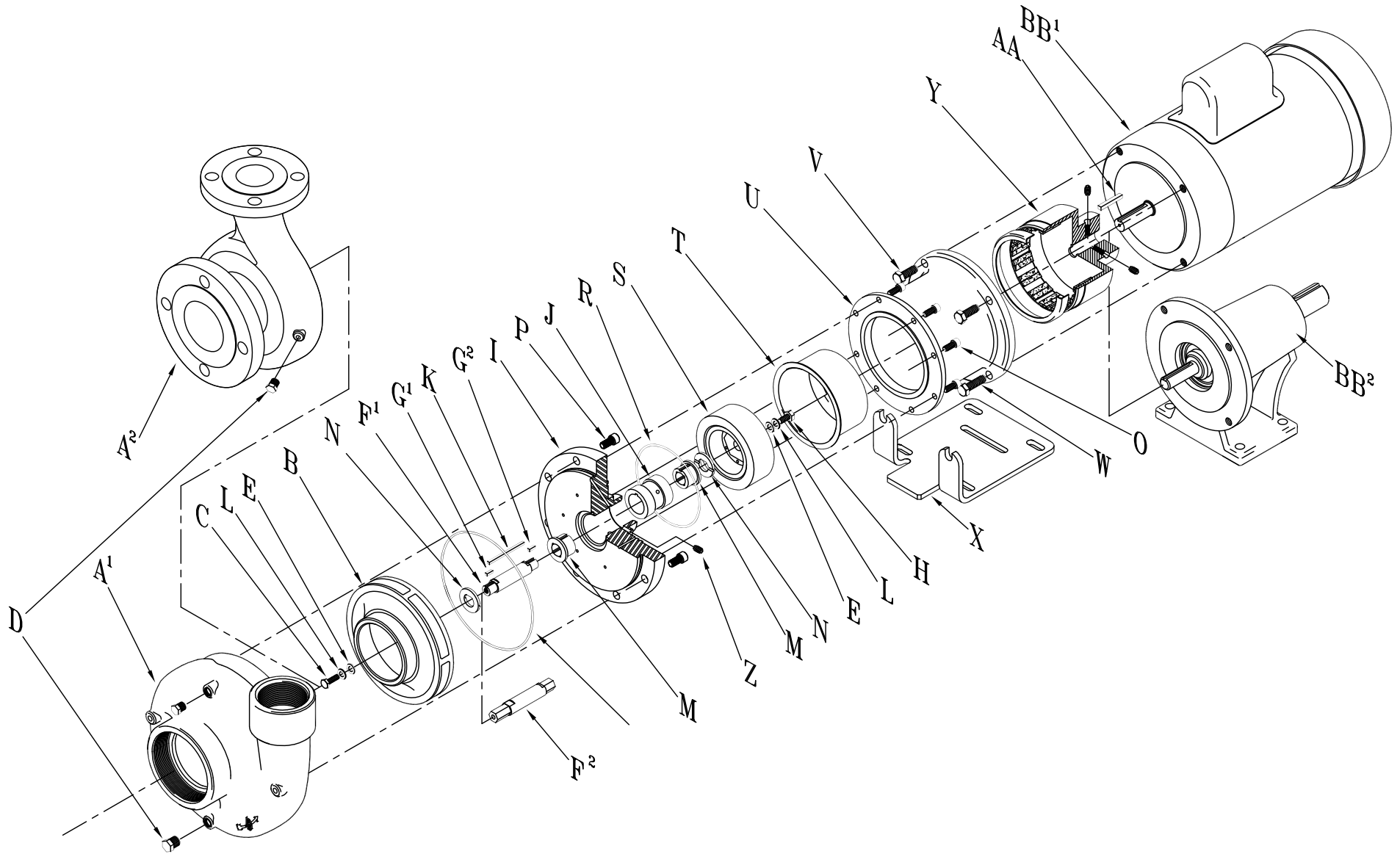
Key #	Description	Qty.	XL/XT100SS:	XL/XT150SS:	XL/XT200SS:
A ¹ .	Volute, Threaded (XT)	1	2629	2626	2627
A ² .	Volute, Flanged (XL)	1	2605	2611	2617
B.	Impeller, Keyed (0-7.5 HP)	1	3954	3955	-----
	Impeller, HEX (10-15 HP)	1	-----	3956	3957
					ALL
C.	Impeller Lockdown Bolt (0-7.5 HP)	1			0585
	Impeller Lockdown Bolt (0-10 HP)	1			0596
D.	Pipe Plug (2 req.)	2			0559
E.	Lockdown Washer	2			2423
F ¹ .	Shaft, Keyed, 316SS (0-7.5 HP-Std)	2			3695
	For carbon/ceramic bushings				
	Shaft, Keyed, TC Coated (0-7.5 HP-Opt)	1			3695-30
	For silicon carbide bushings				
F ² .	Shaft, Hex, 316SS (10-15 HP-Std)	1			3941
	For carbon/ceramic bushings				
	Shaft, Hex, TC Coated (10-15 HP-Opt)	1			3941-30
	For silicon carbide bushings				
G ¹	Impeller Shaft Key	1			2451
	For Keyed Design				
G ²	Magnet Shaft Key	1			2424
	For Keyed Design				
H.	Magnet Lockdown Bolt	1			0596
I.	Separator Plate	1			3944
J.	Bushing Sleeve	1			3697
K.	Bushing Key	1			2464
L.	Vibration Washer	2			2344
M.	Thrust Bushing	2			
	Carbon (std)				3699
	Silicon Carbide (Opt)				3630
N.	Thrust Washer	2			
	Ceramic (Std)				3700
	Silicon Carbide (Opt)				3629
O.	Drive Housing Bolts	8			2466
P.	Volute Bolts	8			0722
Q.	Volute O ring	1			0865
R.	Magnet Cup O ring	1			2465
S.	Driven Magnet, Keyed (0-7.5 HP)	1			3627
	Driven Magnet, HEX (10-15 HP)	1			3634
T.	Magnet Cup	1			2454
U.	Drive Housing	1			3626
V.	Motor Bolts (Top)	2			0579
W.	Motor Bolts (Bottom)	2			3083
X.	Base Plate	1			8017
Y.	Drive Magnet 5/8" Bore (0-7.5 HP)	1			2471
	Drive Magnet 7/8" Bore (0-7.5 HP)	1			2471-1
	Drive Magnet 7/8" Bore (10-15 HP)	1			2477
Z.	Setscrew	3			2452
AA.	Motor Shaft Key	1			2472
BB ¹ .	Electric Motor	1			Specify P/N
BB ² .	Power Frame 5/8"	1			5478
	Power Frame 7/8"	1			5501

Price® Pump Co.

21775 Eighth Street East * Sonoma, CA 95476-0329 * (707) 938-8441 * Fax (707) 938-0764



PRICE® PUMP CO.



XL-XT100/150/200 MAG DRIVE

Price® Pump Co.

21775 Eighth Street East * Sonoma, CA 95476-0329 * (707) 938-8441 * Fax (707) 938-0764