



PRICE PUMP®

TYPE XTMD

PUMP VOLUTE / IMPELLER MATERIALS

- XT100MDSS – 316 STAINLESS STEEL
- XT150MDSS – 316 STAINLESS STEEL
- XT200MDSS – 316 STAINLESS STEEL

APPLICATIONS

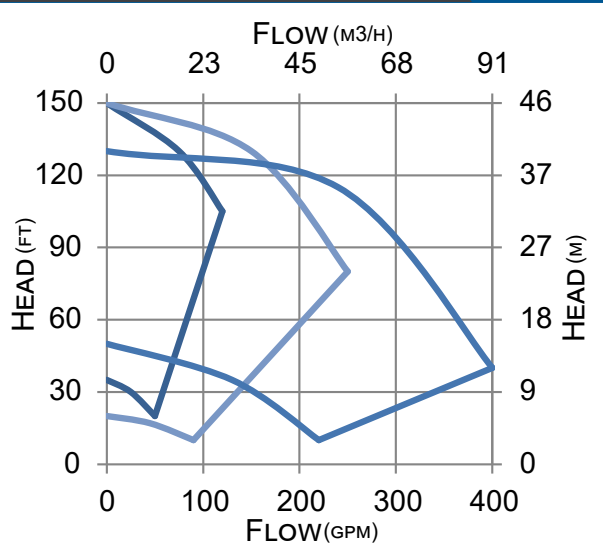
- TOXIC OR EXPLOSIVE FLUIDS
- AGGRESSIVE CHEMICALS
- BIODIESEL PRODUCTION
- WATER TREATMENT
- GALVANIC PROCESSES, SURFACE TREATMENTS
- SCRUBBER APPLICATIONS
- PHARMACEUTICAL INDUSTRY
- VAPOR DEGREASERS



STANDARD SPECIFICATIONS

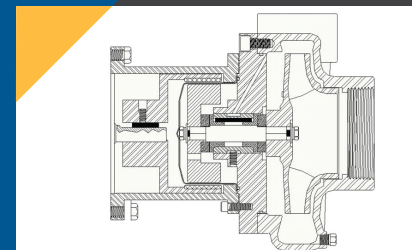
- XT100MD DISCHARGE 1" FNPT, SUCTION 1-1/2" FNPT
- XT150MD DISCHARGE 1-1/2" FNPT, SUCTION 2" FNPT
- XT200MD DISCHARGE 2" FNPT, SUCTION 3" FNPT
- MAXIMUM IMPELLER DIAMETER: 5.98"
- IMPELLER MATERIAL: 316SS
- MOTOR: NEMA C FACE
- O-RINGS: VITON
- BUSHINGS: CARBON GRAPHITE
- THRUST WASHERS: CERAMIC
- MAGNETS: SAMARIUM COBALT

NOTE: CONTACT FACTORY FOR ADDITIONAL OPTIONS



FEATURES

- LEAK-PROOF, MAGNETIC DRIVE
- ELIMINATES SEALS TO REDUCE FRICTION WEAR
- HIGH TEMPERATURE CAPACITY
- THREADED PUMP CONNECTIONS



2203 SMEED PARKWAY CALDWELL, ID 83605

MAIN (208) 402-6871

TOLL FREE (800) 345-7867

EMAIL SALES@PRICEPUMP.COM

PRICEPUMP.COM

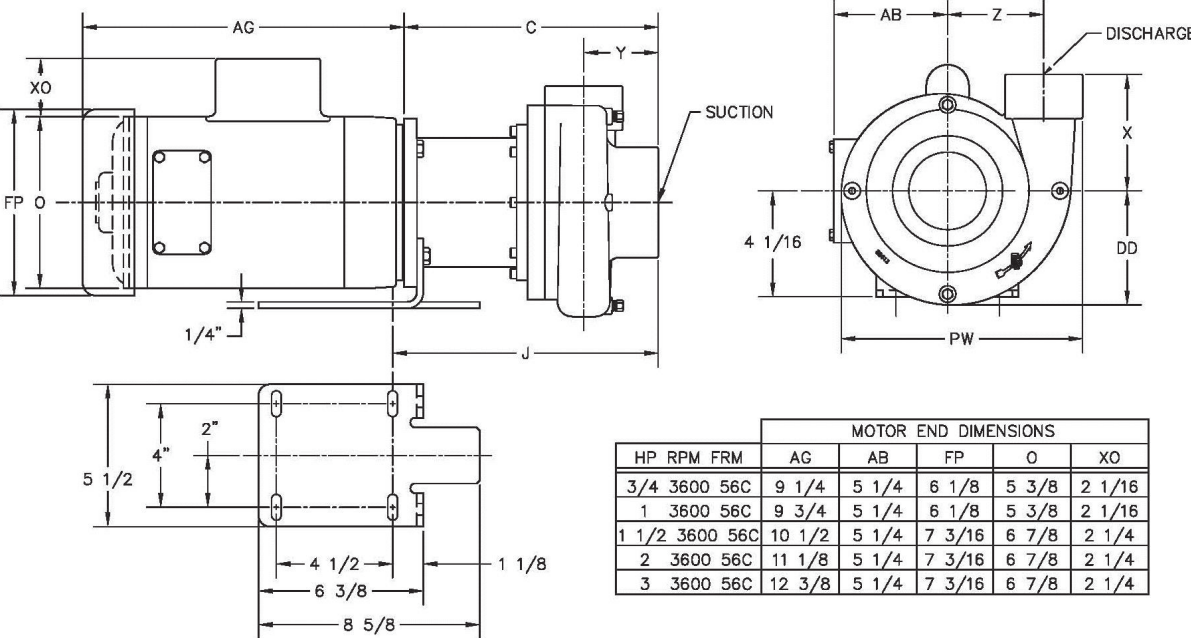




PRICE PUMP

TYPE XTMD

	PUMP END DIMENSIONS							SUCTION	DISCHG
	C	DD	PW	J	X	Y	Z		
XT100	9 1/8	4"	8 3/8	9 5/8	4"	2 3/8	3 1/2	1-1/2"	1"
XT150	10 1/8	4 1/8	8 3/4	10 5/8	4 1/4	3 1/4	3 5/8	2"	1-1/2"
XT200	9 7/8	4 7/16	9 5/16	9 3/8	4 1/2	2 7/8	3 3/4	3"	2"



MOTOR END DIMENSIONS							
HP	RPM	FRM	AG	AB	FP	O	XO
3/4	3600	56C	9 1/4	5 1/4	6 1/8	5 3/8	2 1/16
1	3600	56C	9 3/4	5 1/4	6 1/8	5 3/8	2 1/16
1 1/2	3600	56C	10 1/2	5 1/4	7 3/16	6 7/8	2 1/4
2	3600	56C	11 1/8	5 1/4	7 3/16	6 7/8	2 1/4
3	3600	56C	12 3/8	5 1/4	7 3/16	6 7/8	2 1/4

- NOTES:**
- MOTOR DIMENSIONS WILL VARY BY MODEL AND MAKE, DIMENSIONS ARE TO BE USED FOR REFERENCE ONLY.
 - DIMENSION "XO" APPLIES TO SINGLE PHASE MOTORS ONLY.
 - ALL DIMENSIONS ARE ROUNDED TO THE NEAREST 1/8 INCH.

DIMENSIONS

TECHNICAL INFORMATION	
MAX FLOW (XT100MD)	120 GPM (27 M3/HR)
MAX FLOW (XT150MD)	250 GPM (57 M3/HR)
MAX FLOW (XT200MD)	400 GPM (91 M3/HR)
MAX HEAD	150 FEET (46M)
MIN. FLOW (XT100MD)	10 GPM (2.3 M3/HR)
MIN. FLOW (XT150MD)	35 GPM (7.9 M3/HR)
MIN. FLOW (XT200MD)	50 GPM (11 M3/HR)
MAX WORKING PRESSURE	300 PSI (21 BAR)
MAX TEMP.	350°F (177°C)*

MATERIALS OF CONSTRUCTION	
XTMD	SS
VOLUTE	316 STAINLESS STEEL
IMPELLER	316 STAINLESS STEEL
BRACKET	316 STAINLESS STEEL
FASTENERS	316 STAINLESS STEEL
O-RING	VITON (STD), TEFLON, BUNA, EPR, NEOPRENE, KALREZ, FLUORO-SILICON
SHAFT	316 STAINLESS STEEL (STD), TUNGSTEN CARBIDE COATED
BUSHINGS	CARBON (STD), SILICON CARBIDE
THRUST WASHER	CERAMIC (STD), SILICON CARBIDE
MAGNET CUP	316 STAINLESS STEEL
MAGNETS	SAMARIUM COBALT



2203 SMEED PARKWAY CALDWELL, ID 83605

MAIN
(208) 402-6871

TOLL FREE
(800) 345-7867

EMAIL
SALES@PRICEPUMP.COM

PRICEPUMP.COM

